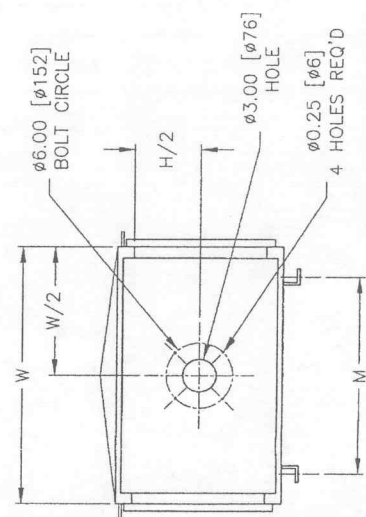
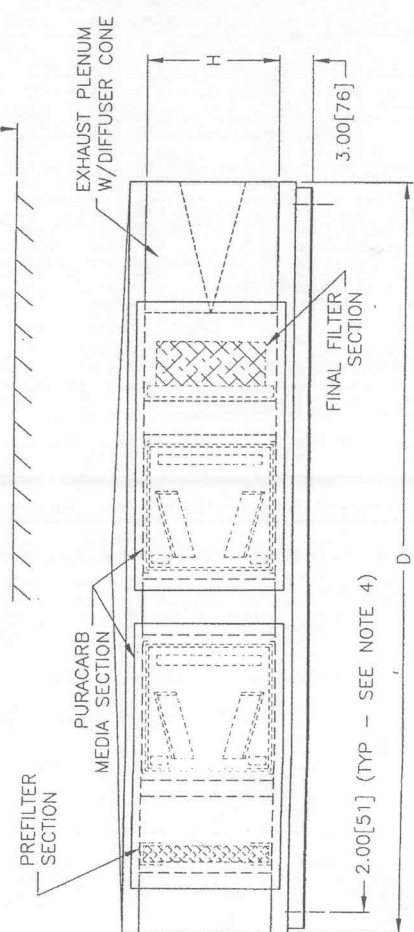
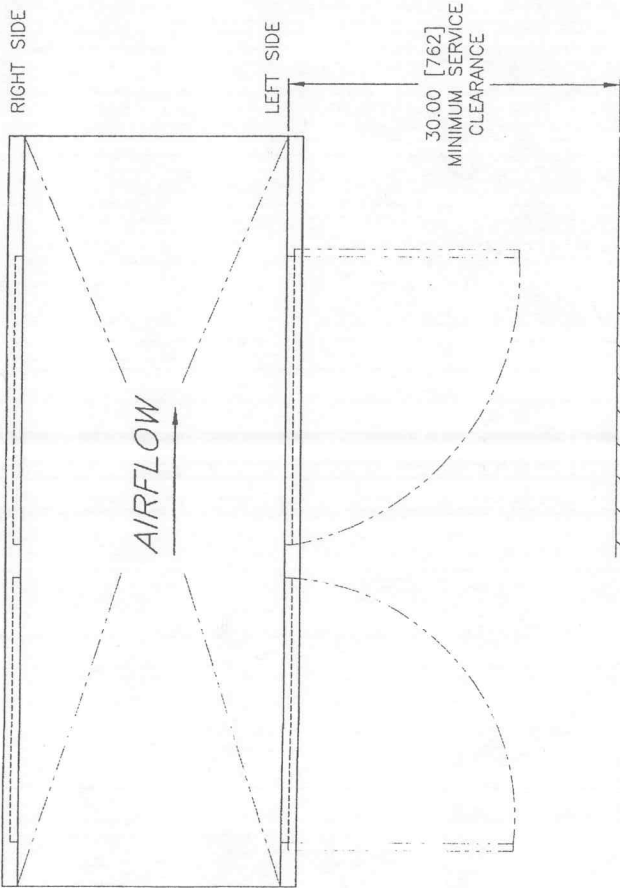


COMPRESSOR INTAKE FILTRATION UNIT C.I.F. UNIT

JOB/UNIT IDENTIFICATION:
CASCADE MACHINERY
SEATTLE, WASHINGTON

NOTES:

1. JOINTS ARE SEALED WITH RTV SILICONE RUBBER.
2. FASTENERS ARE 18-8 STAINLESS STEEL.
3. ALL UNITS ARE OF WEATHERPROOF CONSTRUCTION.
4. FOUR $\phi 0.625$ [16] MOUNTING HOLES ARE PROVIDED FOR ANCHORING UNIT IN THE FIELD.
5. THE C.I.F. 608 UNIT IS SHIPPED IN TWO PIECES FOR ERECTION IN THE FIELD.
6. BOLT PATTERN MATCHES 150 LB. ASA FLANGE. THE FLANGE IS FOR PIPING CONNECTION AND IS NOT A SUPPORT POINT FOR PIPING. MAXIMUM ANGULAR DEFLECTION 0.5 MAXIMUM DEFLECTION PARALLEL TO AIR FLOW IS 0.25" ABOVE MUST INCLUDE ALLOWANCE FOR THERMALLY INDUCED STRESS.
7. TAG UNIT PO# 3-88798.



This drawing is the property of Purafil, Inc. and is not to be reproduced or copied in whole or in part. It is only to be used for the project and site specifically identified herein and is not to be used in any other project. It is to be returned upon request.

CROSS REFERENCE TO P.B. 121

MODEL NO.: CIF 102-68/2P-12M-12M-5F-PLEN

MATERIAL:
 14 GA. STL (STD)
 14 GA. CRS
 316 STAINLESS STEEL
FINISH:
 GALVANIZED (STD)
 GREY POLYURETHANE
 ~~BLACK POLYURETHANE~~

MODULES:
 DISPOSABLE (STD)
 ABS PLASTIC
RAINLOOVER:
 NO (STD)
 YES
INSULATION:
 NO (STD)
 YES

PREFILTERS:
 QUANTITY 1
 TYPE BY OTHERS
 SIZE 12x24x2 [305x610x51]

PURAFIL® AIR PURIFICATION MEDIA(S) IN DIRECTION OF AIRFLOW:

MODULE QUANTITY	MODULE TYPE	MEDIA TYPE	MEDIA QUANTITY
1	PM-12DP	PURACARB PP-1505	45 LB [20 KG]
1	PM-12DP	PURACARB PP-1505	45 LB [20 KG]

FINAL FILTERS:
 QUANTITY 1
 TYPE JFL-90
 SIZE 12x24x5 [305x610x127]

GAGE UNITS (OPTIONAL):
 NONE
 AIRFLOW & ROOM PRESSURIZATION
 STATIC PRESSURE DIFFERENTIAL (PREFILTER & FINAL FILTER)

MODEL NO.	AIR FLOW (MAX) CFM[M ³ /H]	MODULE QTY.	DIMENSIONS			ϕF
			H	W	D	
102	400 [680]	2	11.95 [304]	23.688 [602]	68.0 [1727]	3

FOR APPROVAL
 FOR CONSTRUCTION
 FOR INFORMATION
 AS BUILT

DATE: 07/30/99
 REV. DATE:

OPERATING WEIGHT: 450 LBS [204 KG]
 APPROVED BY: CDM/C.E.NE

DRAWING NUMBER:
 REVISION:
J-993770

DIMENSIONS ARE IN INCHES. METRIC EQUIVALENTS IN BRACKETS [] ARE IN MILLIMETERS.
 PURAFIL® PURAFIL II® PURASORB® CHLOROSORB® AND THE SCOOTER® SKUNK EMBLEM (REG. U.S.PAT. & TM OFFICE) PURASTAT™ HEBA-LOCK™ CORROSIVE-AIR™ E.S.™ PURACARB™ PM™ SERIES AND THE DISTINCTIVE SHAPE OF PM™ MODULES ARE TRADEMARKS OF PURAFIL, INC. A U.S.A. CORPORATION.