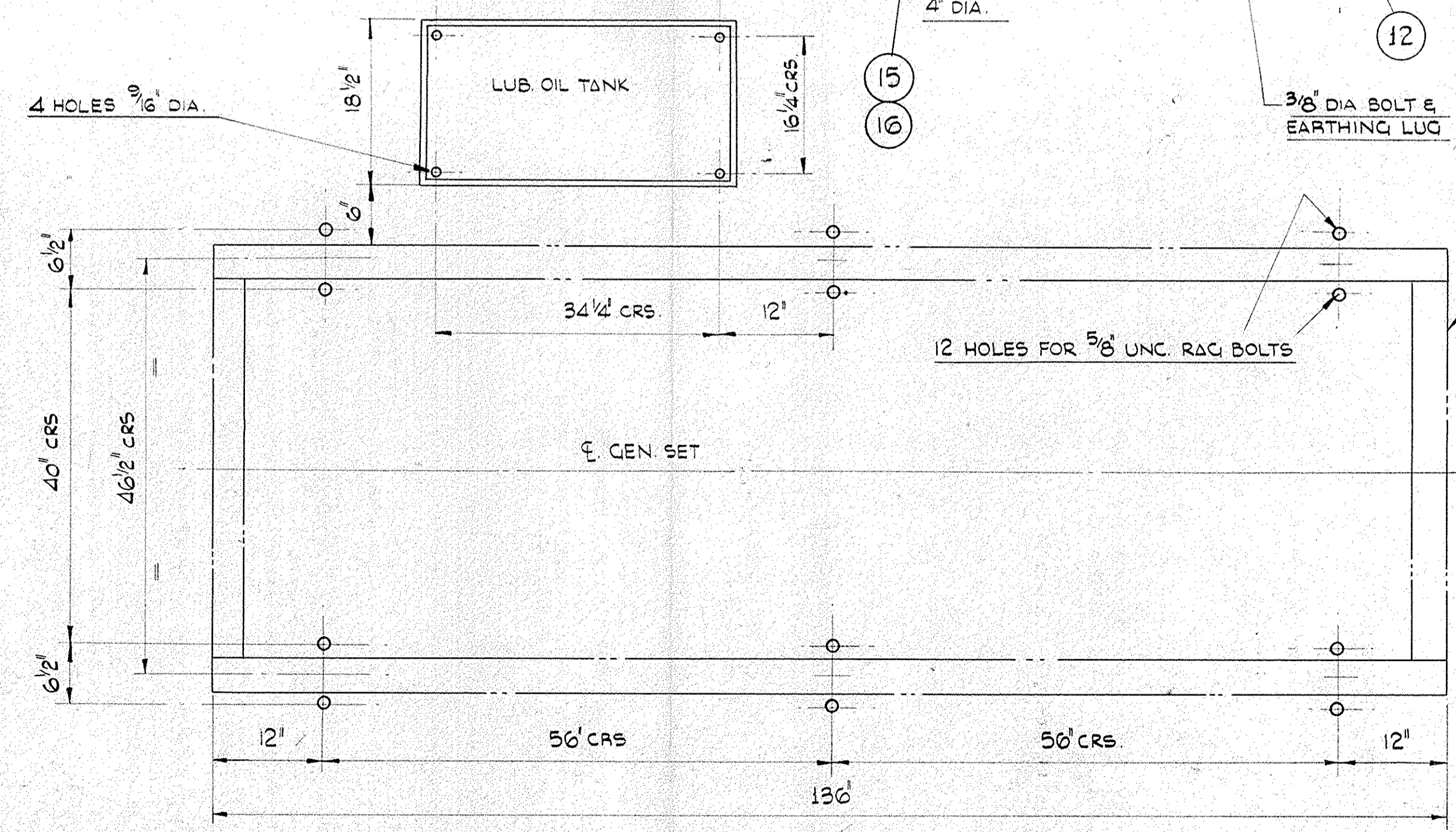
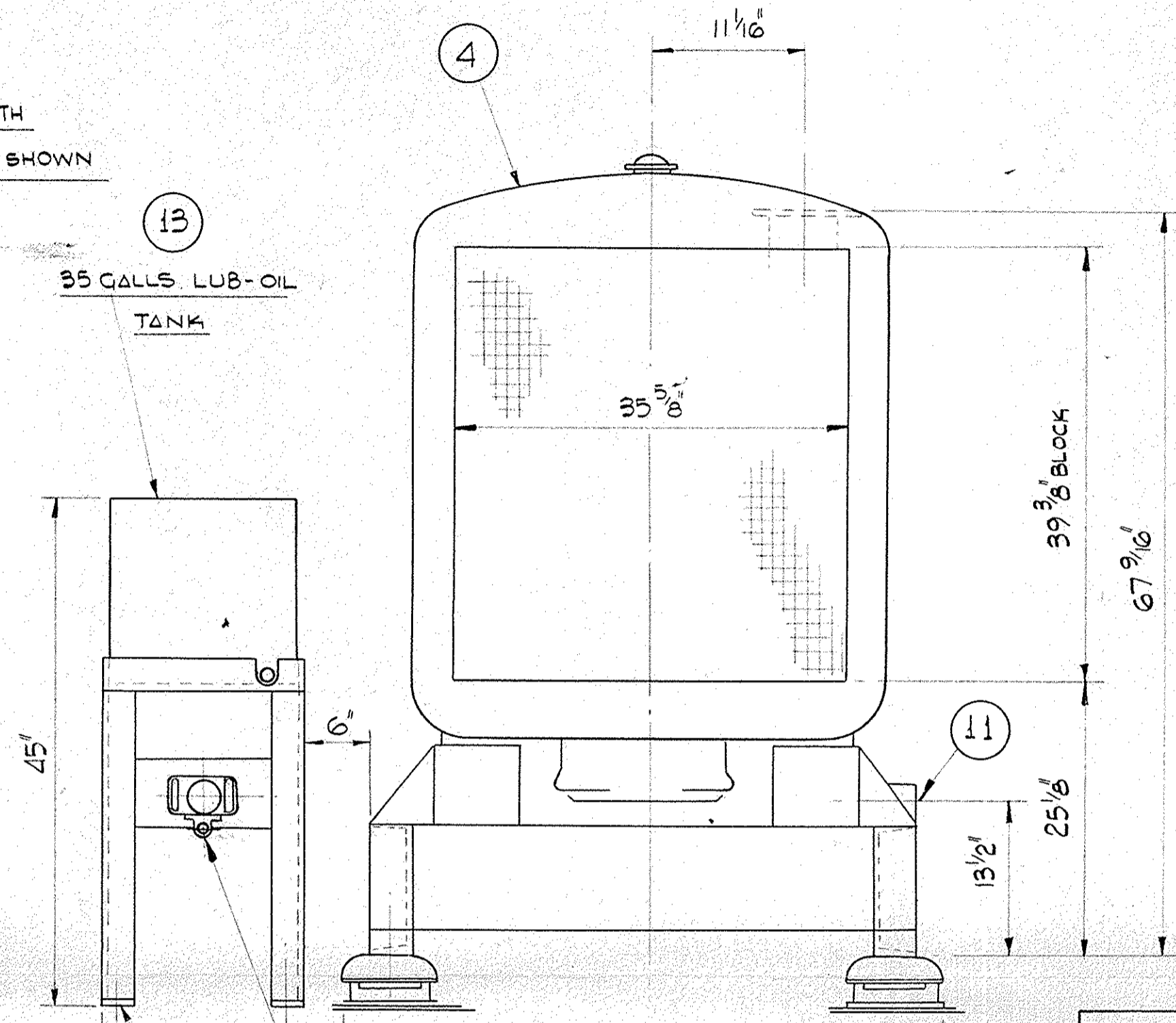
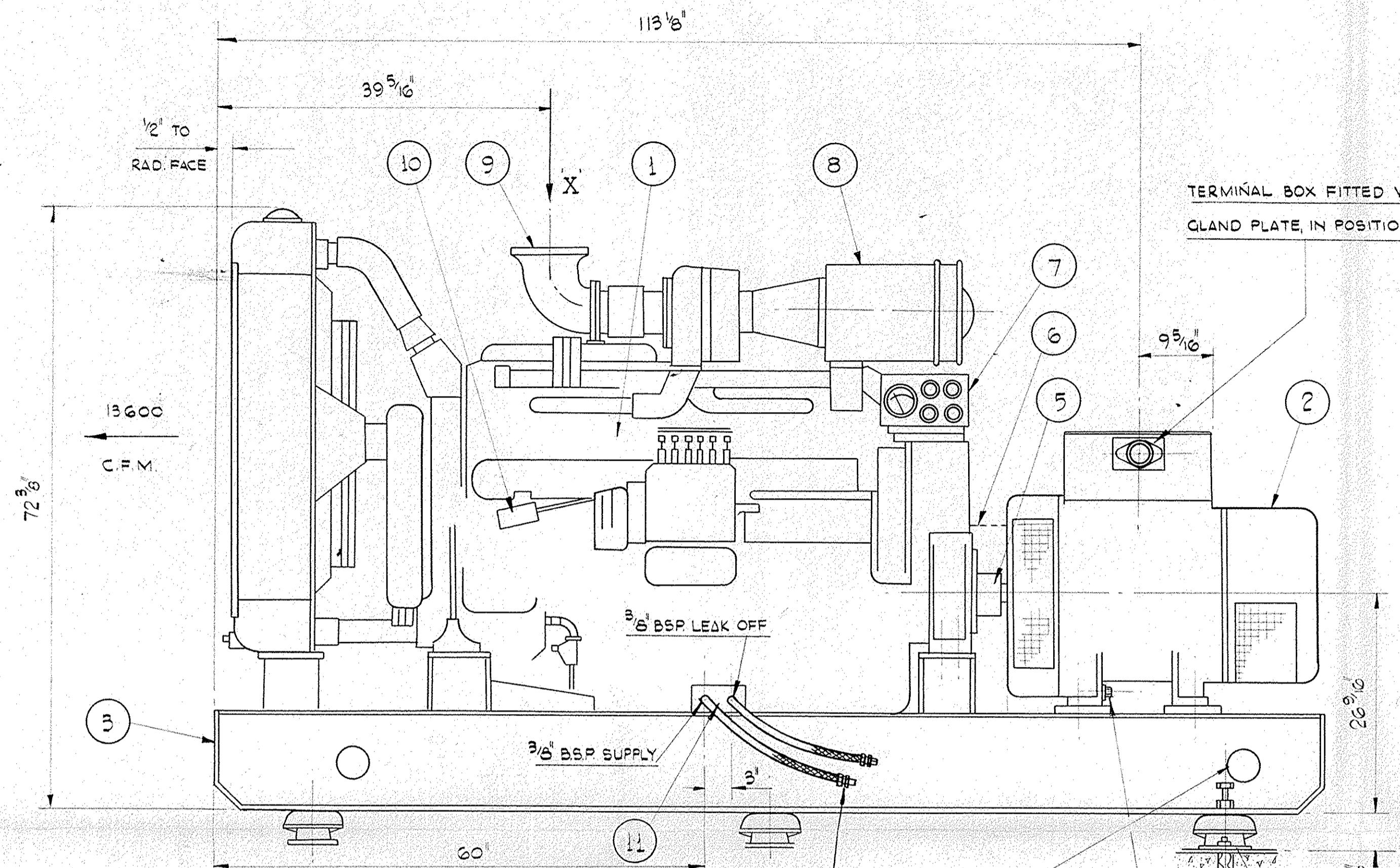


"This drawing is the property of Auto Diesels Braby Limited and may not be copied or used for any purposes other than that for which it is supplied without the express written authority of Auto Diesels Braby Limited."

REVISIONS

Nº	DESCRIPTION	DATE	BY
1	EARTHING POINT SHOWN REN. VALVE POSITION MODD	14-6-72	C.W.
2	GLAND PLATE ON TERMINAL BOX POSITIONED	1-8-72	C.W.
3	ITEMS 15 & 16 ADDED	14-11-72	C.W.



18			
17			
16	2	3/8-1/2 BSP RED UNION 9/16 NUT & OLIVE	BRASS
15	2	3/8 NB. FLEXIBLE HOSE x 14'	
14	1	STAND FOR LUB-OIL TANK	
13	1	LUBRICATING OIL TANK	
12	6	METALASTIK AV. MOUNTS	TYPE B0
11	1	FUEL TERMINATION BRACKET	SK.1724
10	1	SHUT DOWN SOLENOID	
9	1	DORMAN EXHAUST BEND	
8	1	AIR FILTER	
7	1	ENGINE INSTRUMENT PANEL	
6	1	COUPLING GUARD	
5	1	HOLSET B RB COUPLING	
4	1	DORMAN RADIATOR	
3	1	BEDPLATE	ADM506
2	1	MARKON B.514 ALTERNATOR	
1	1	DORMAN GGT. ENGINE	
ITEM	Nº OFF	MATERIAL	REMARKS
ORDER Nº	S.A. Nº	Nº OF SETS	DRG. Nº
			DATE OPENED

OUTLINE OF BEDPLATE  
PLAN VIEW OF FIXING HOLES

NOT TO BE SCALED FINISH IF IN DOUBT-ASK WEIGHT 8600 lbs WET APPROX

GENERAL DIMENSIONS TO BE WITHIN ± UNLIMITED MACHINE DIMENSIONS TO BE WITHIN ± .010

DIMENSIONS IN INCHES MILLIMETRES ( ) MAKE UP

ORDERS USED ON 1349/01

AUTO DIESELS BRABY LTD UXBRIDGE MIDDLESEX ENGLAND

GENERAL ARRANGEMENT :- DORMAN GGT. ENGINE, MARKON B.514 ALTERNATOR.

SCALE 1:12

DATE 11-4-72

NO OF SHEETS SHEET Nº

GA-2541