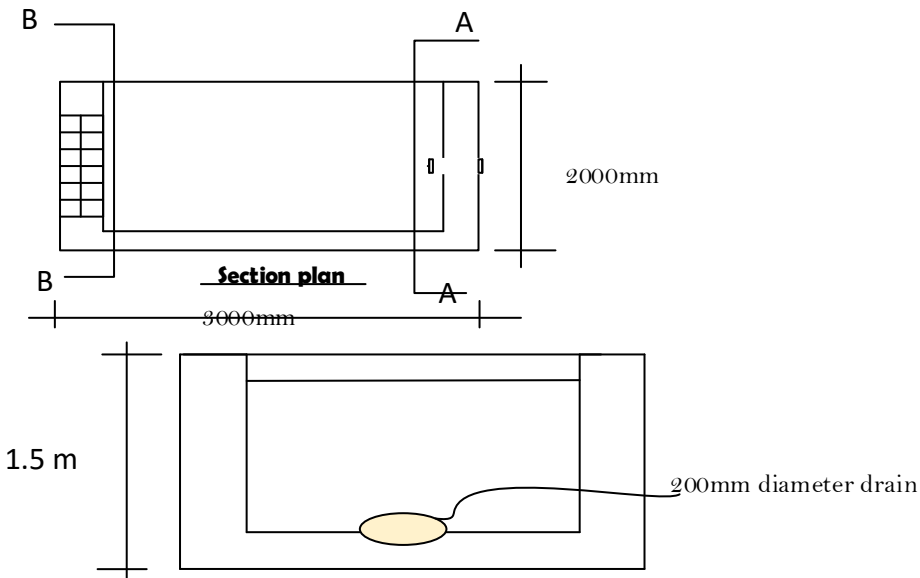
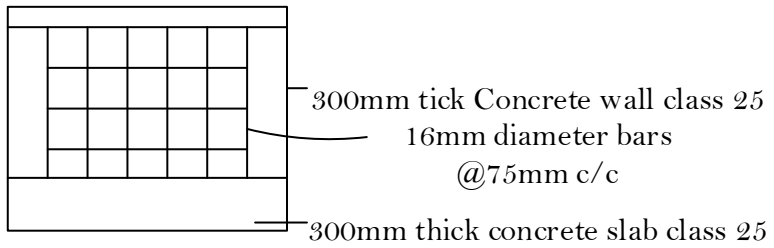


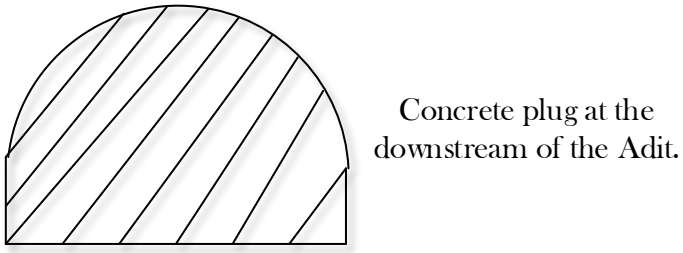
KAMBURU POWER HOUSE DRAIN CHAMBER /GRIT TRAP



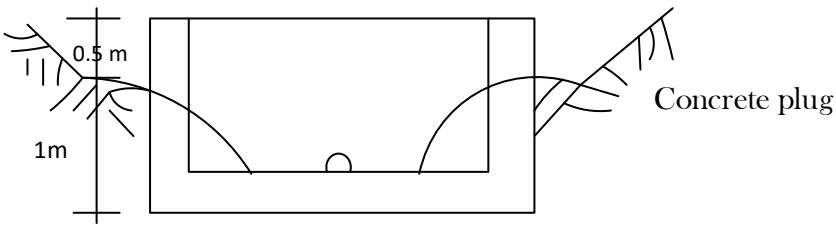
SECTION A-A



Section B-B



Kamburu power house Adit tunnel drain chamber details



Section through Adit

Notes:

- Screen size 1000mm height x 2500mm width.
- Measurements are in millimeters and metres.

Project Location: Kamburu power house	Drawn by: Williams	Sheet no: 01
Title: Drain chamber /Grit trap	Approved by: Eng.Gumo	Date: 27/06/2016