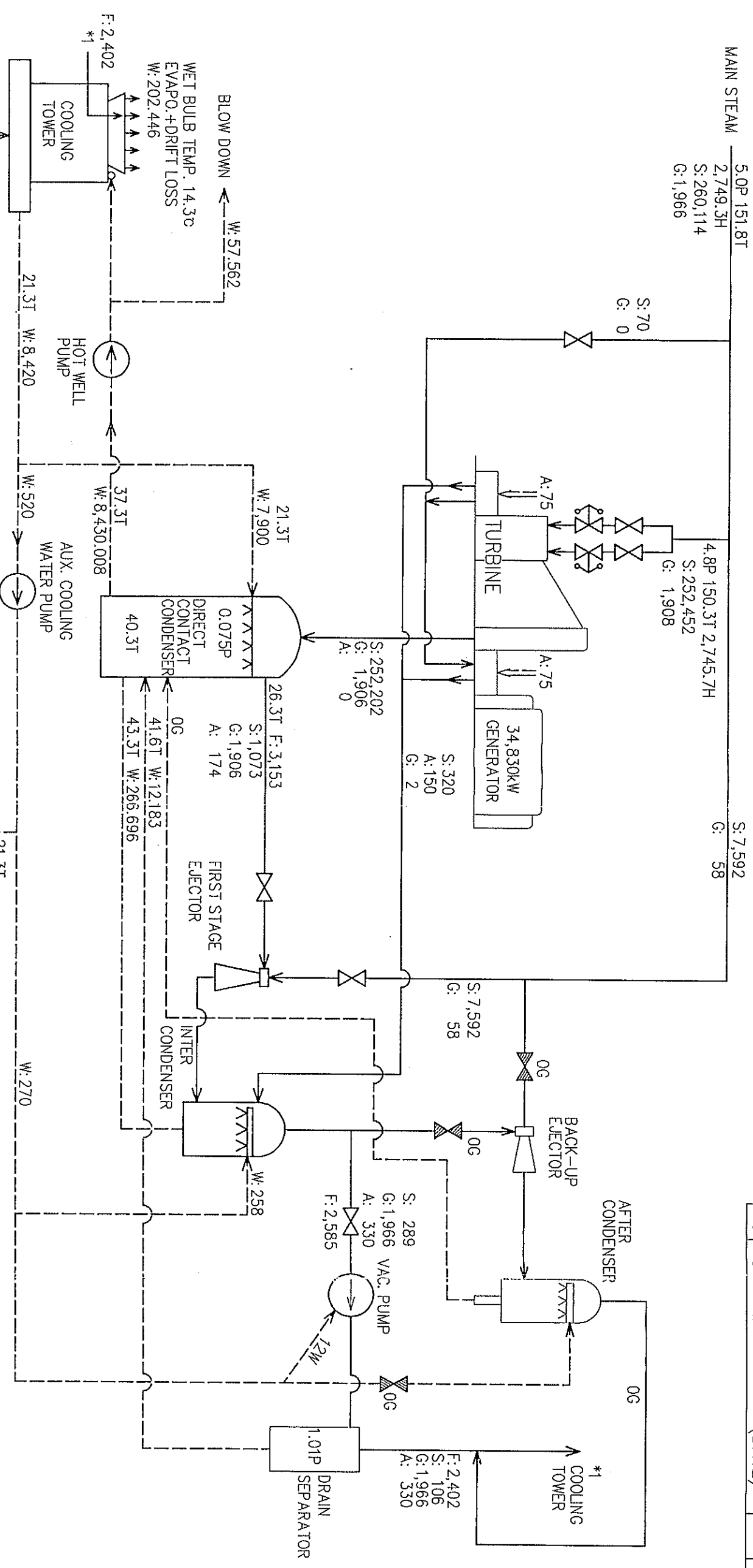


NO.	REVISIONS DESCRIPTION	(DATE)	ZONE	AP-PROVED	CHECK

DRAWING NO. T-13340
 5-F RF4



Alternative

P : bar abs.
 T : °C
 H : kJ/kg
 S : STEAM kg/hr
 G : GEO.GAS kg/hr
 A : AIR kg/hr
 F : STEAM+GAS+AIR kg/hr
 W : WATER m³/hr

THE HEAT BALANCE (T-13340) IS BASED ON THAT WATER INJECTION FOR SCRUBBER OR BLADE WASHING IS NOT CONDUCTED.

LAND TURBINE DESIGNING SEC. POWER PLANT ENG.DEPT.	KENYA/OLKARIA II GEOTHERMAL POWER PROJECT	
APPROVED <i>A.S. Shukla</i>	100%NCR (34,830KW) HEAT BALANCE DIAGRAM (WET BULB TEMPERATURE =14.3°C)	
CHECKED <i>A.S. Shukla</i>	ORDER SCALE	DRAWN <i>M. Rajaguru</i>
72815	10260	3rd-ANGLE PROJECTION (三角法)
72815	10260	DRAWING NO. T-13340
MITSUBISHI HEAVY INDUSTRIES,LTD. NAGASAKI SHIPYARD & MACHINERY WORKS		ISSUED