

NOTES:

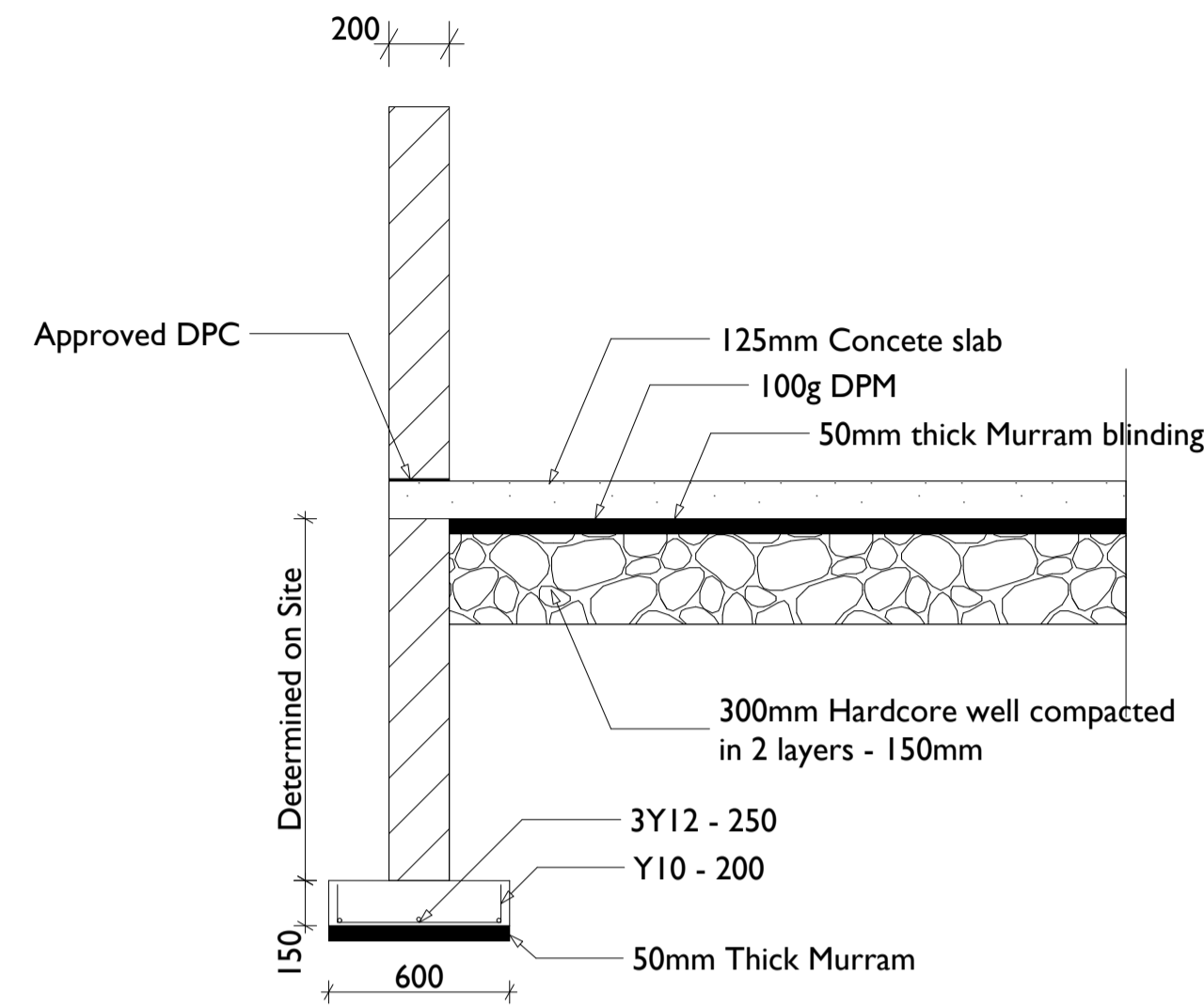
GENERAL:
All dimensions are in mm unless otherwise specified.
Drawings are not to be scaled. Only figured dimensions to be used.
The contractor must check and verify all dimensions on site before commencement of any work.

CONSTRUCTION:
All slabs at ground level to be poured over 1000 gauge polythene sheeting on 50 mm thick murrum blinding on well compacted hardcore.
All soils under slabs and all around external foundations to be treated against termites.

STRUCTURAL:
All black cotton soils to be removed from below all building and paved surfaces.
Buildings to be clear of black cotton soils to within 3m outside the perimeter.
For all R.C works refer to Structural Engineer's drawings.
Depth of foundation to be determined on site to structural engineer's approval.
All walls less than 200 mm to be reinforced with hoop iron every alternate course.

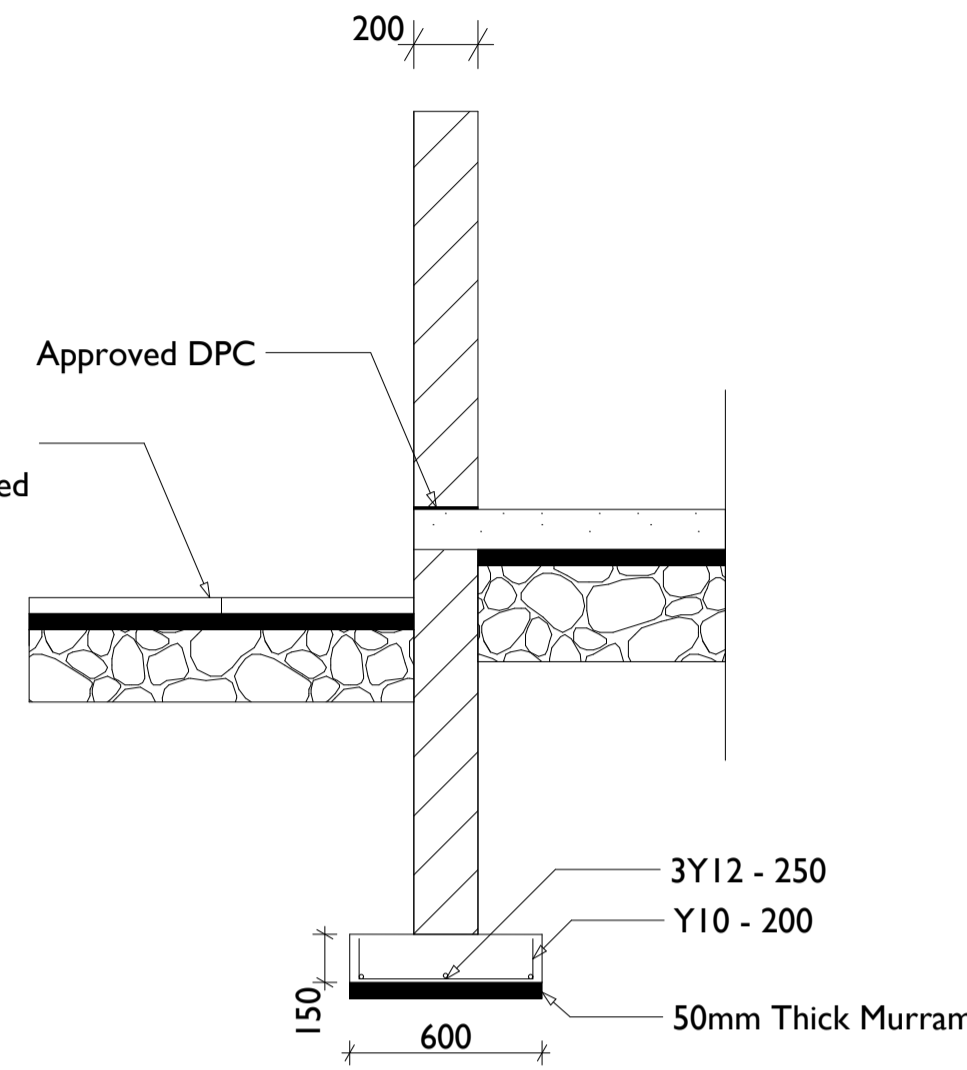
MECHANICAL:
All plumbing and drainage to comply with the local authority specifications.
All service ducts to be accessible from all floors.
SVP denotes soil vent pipe to be provided at the head of the drainage.
PV denotes permanent vent and to be provided on all doors and windows except bathroom and toilet windows.
All underground foul and waste pipes shall be uPVC to comply with BS 5255.
All inspection covers and framing shall be cast iron to comply with BS 497 TABLE 2 Grade A.
The storm drain pipe to comply with BS 556.
Minimum slope in the drain pipe is 1%.
All testing of pipes must be done before plastering.
All mechanical work must be coordinated with electrical and any conflicts must be clarified before work begins.

ELECTRICAL:
All conduits must be laid before plastering.

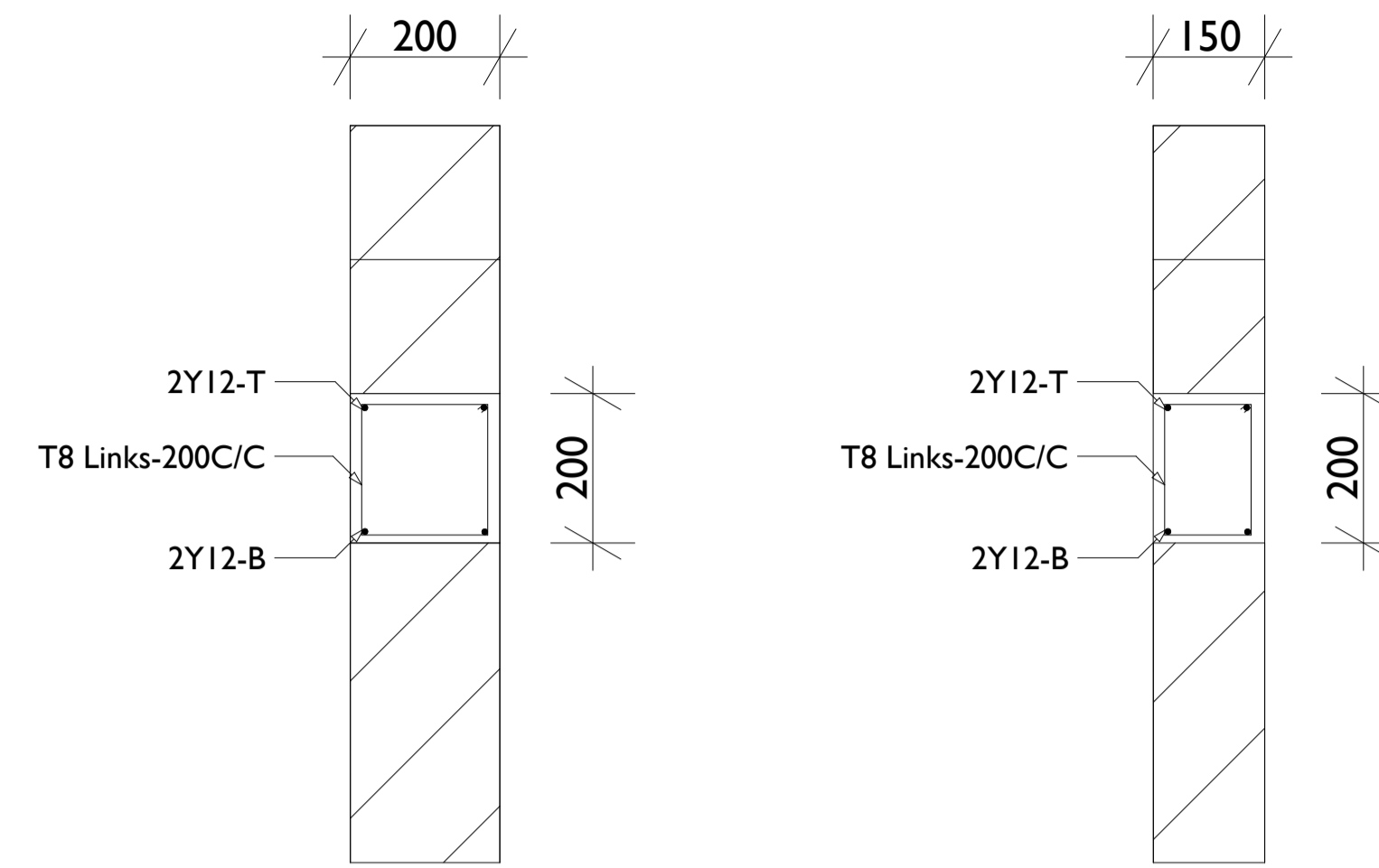


STRIP FOUNDATION DETAILS

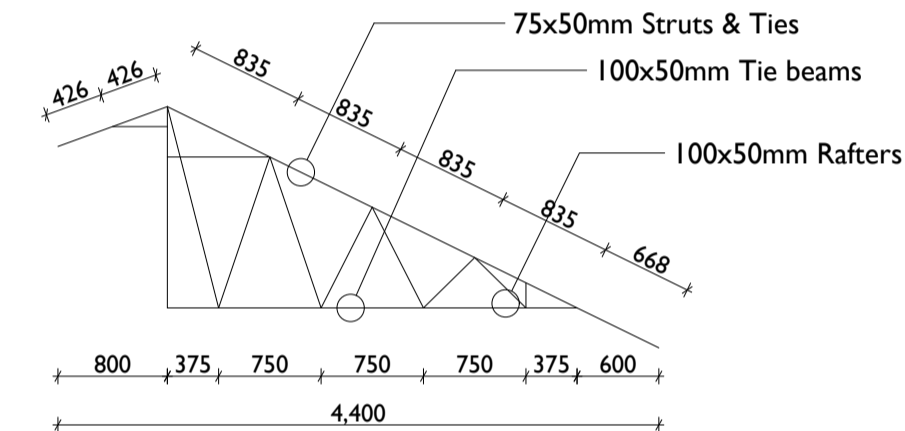
50mm Concrete slab on on 50mm murrum blinding on 150mm hardcore well compacted



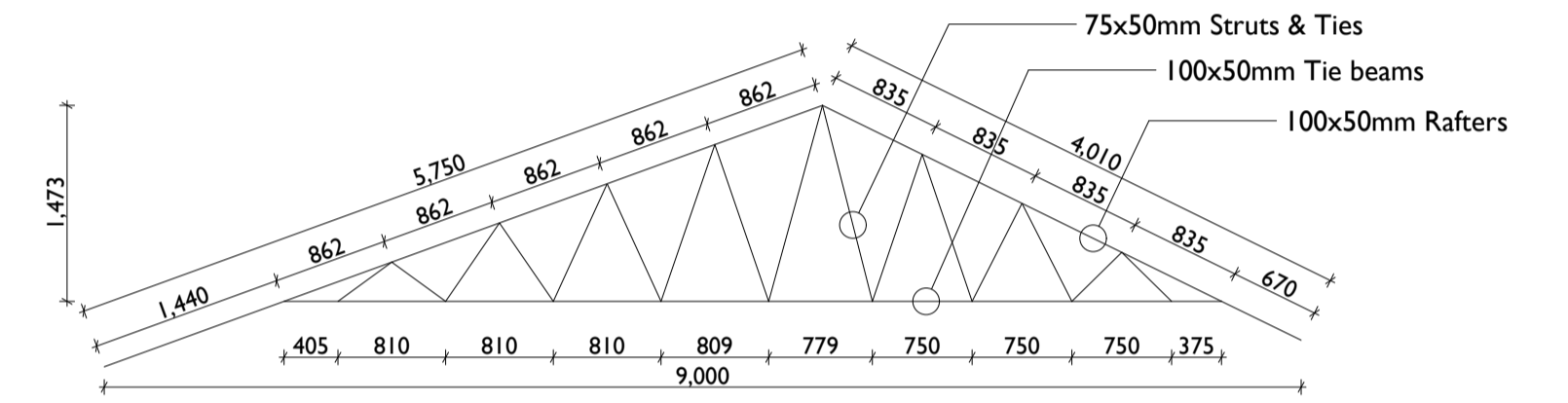
VERANDAH SLAB DETAILS



TYPICAL RING BEAM DETAILS (200mm & 150mm WALLS)

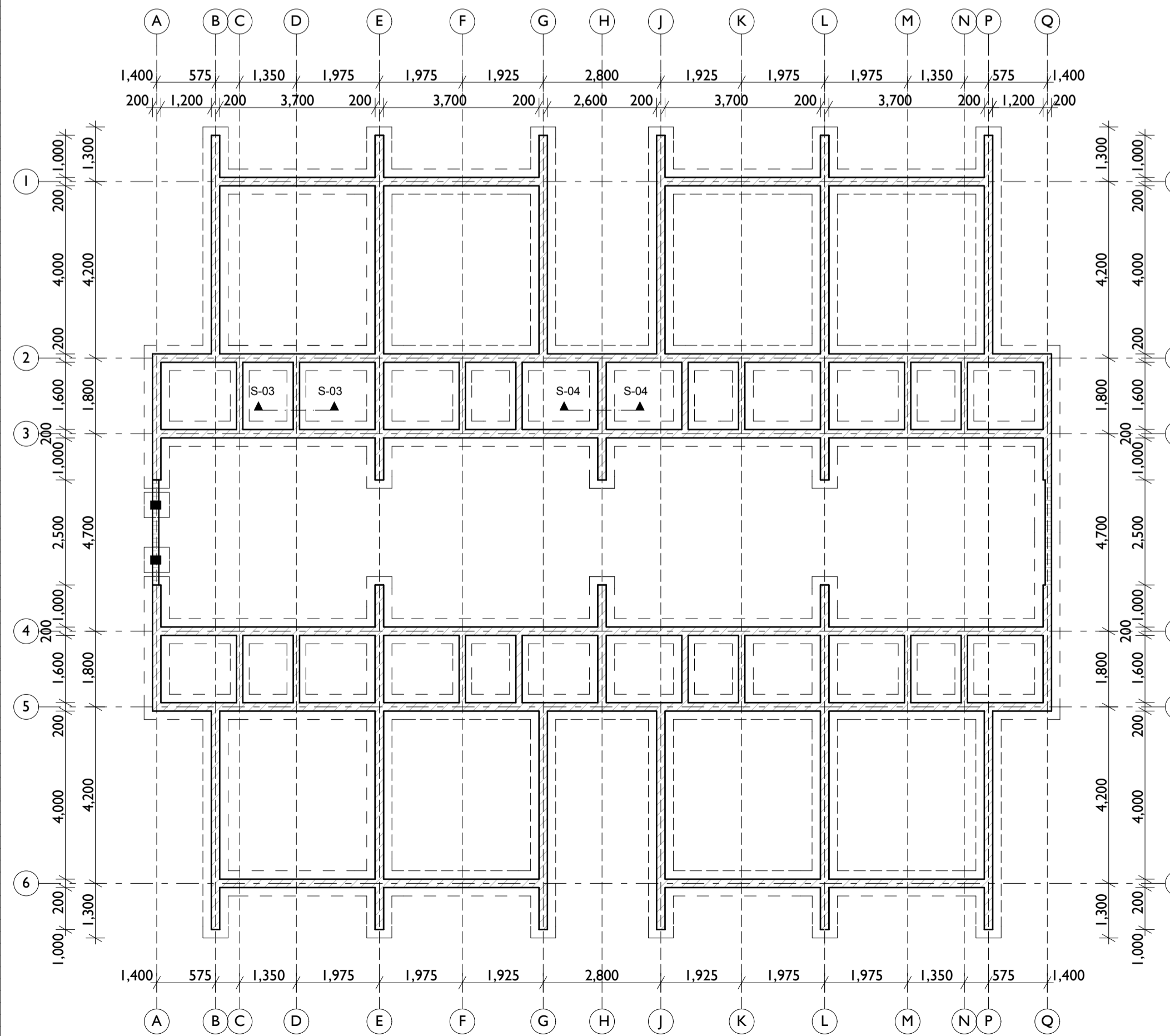


TRUSS 1 - (12 No. Required per unit)

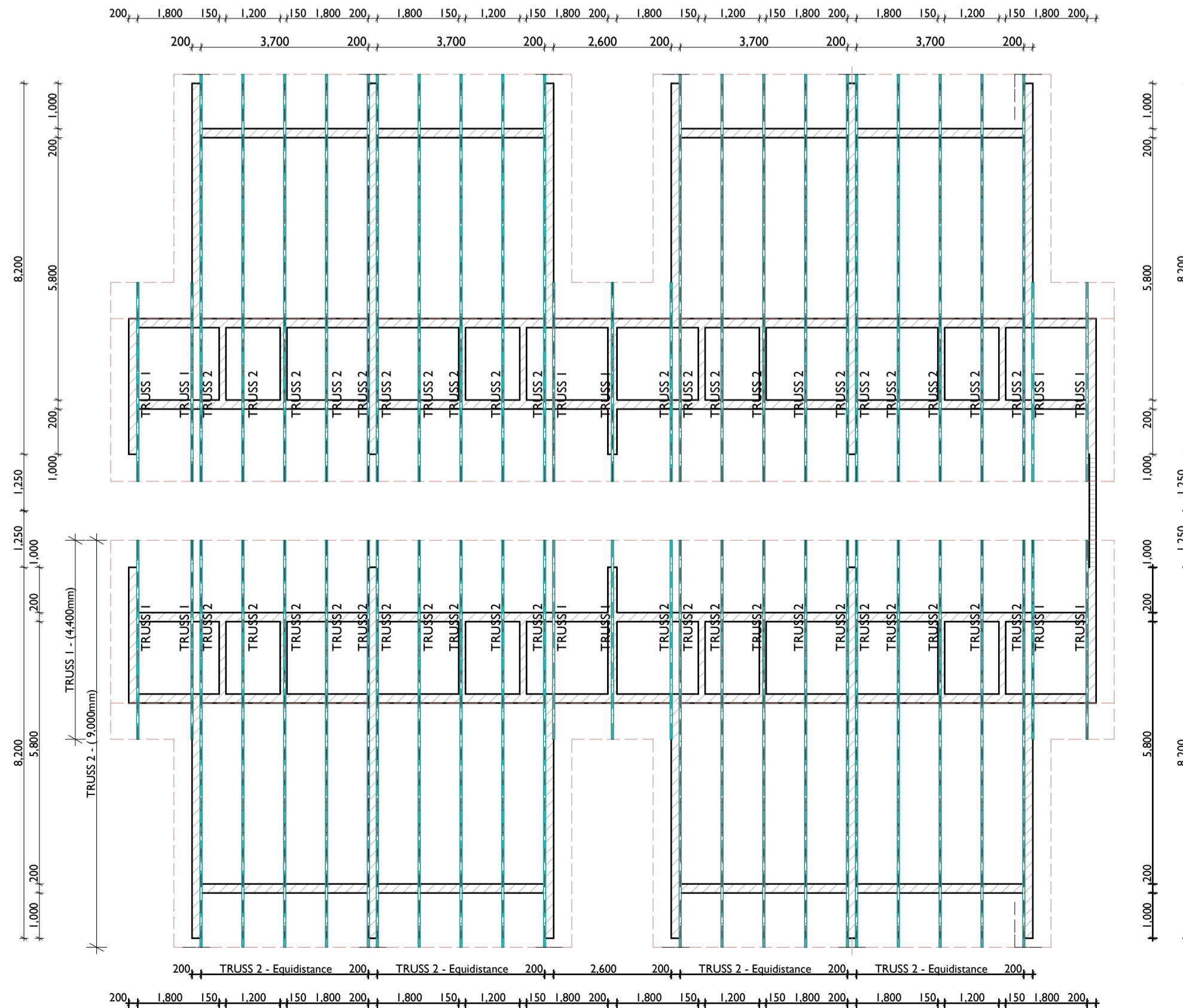


TRUSS 2 - (40 No. Required per unit)

ROOFING TRUSS DETAILS



FOUNDATION PLAN



ROOFING PLAN



KenGen

Job Title:
PROPOSED SELF CONTAINED SINGLE ROOMS FOR TANA POWER STATION STAFF (2 Units required)

Drawing Name:
Foundation and Roofing Plans

Drawing Status:
ISSUED FOR CONSTRUCTION

Drawn by: S.A.O
Checked by: S.I.
Date: 11.05.2017
Date: 11.05.2017

Drawing Scale:
1:100

Drawing No: KGN/TANA/PRJ-2017/STR01
Status:
Revision: **0**